

# CURRENT TRANSFORMER

Model 2DARL

Window Diameter 1.0"

**APPLICATION:**  
Ammeters, wattmeters, and cross current compensation.

**FREQUENCY:**  
50-400 Hz.

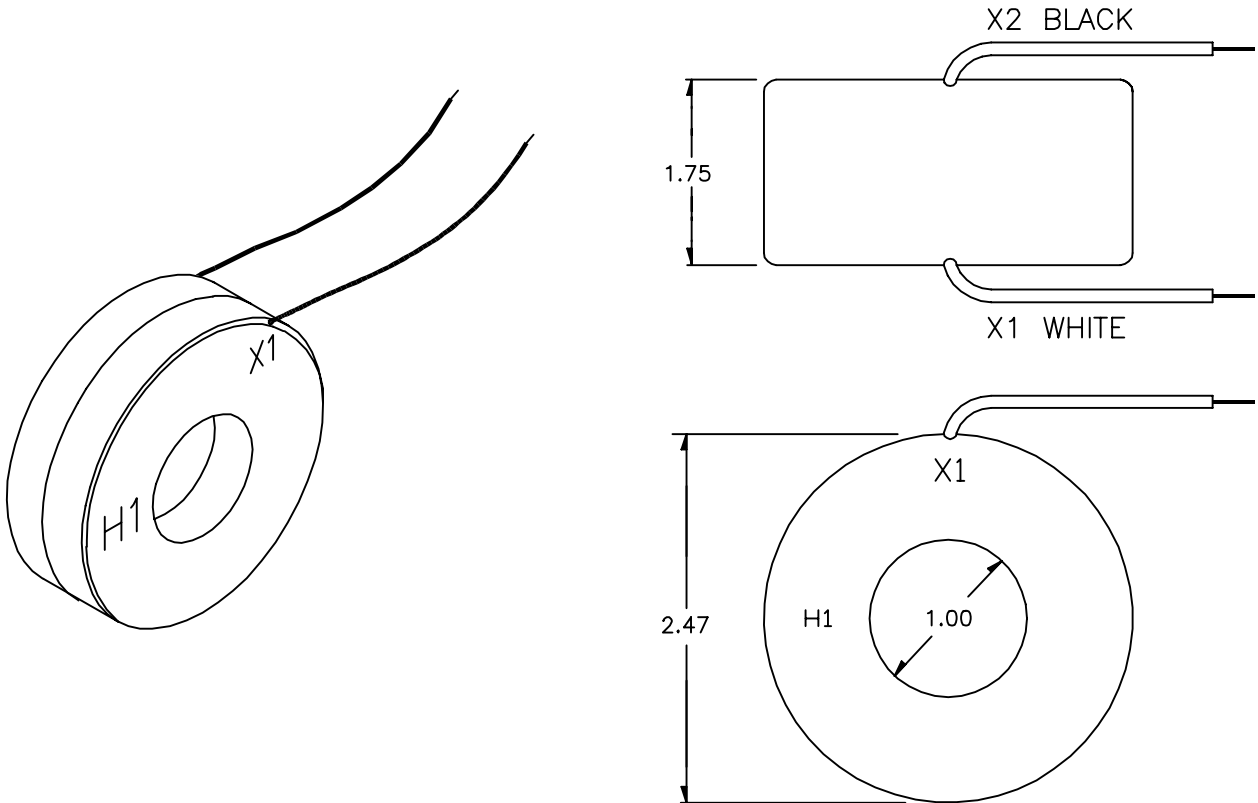
**INSULATION LEVEL:**  
600 Volts, 10 kV BIL full wave.

- Flexible leads are UL 1015 105°C, CSA approved, #16 AWG, 24" long.
- Non-standard lead length can be specified.
- Approximate weight: 0.9 lbs.

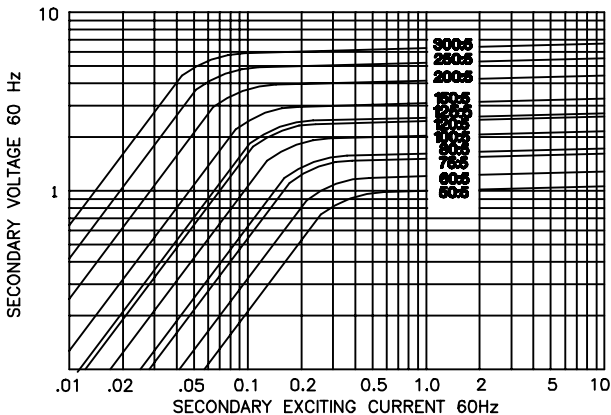
REGULATORY AGENCY APPROVALS



Manufactured to meet the requirements of ANSI/IEEE C57.13.  
Classified by U.L. in accordance with IEC 44-1



EXCITATION CURVE



CATALOG NUMBER	CURRENT RATIO	V.A. ± 1% CLASS	ANSI METERING CLASS AT 60 Hz					SECONDARY WINDING RESISTANCE (OHMS @ 75 °C)	CONTINUOUS THERMAL RATING FACTOR	
			B0.1	B0.2	B0.5	B0.9	B1.8		@30°C	@55°C
2DARL-500	50:5	± 2% 2.5	4.8	-	-	-	-	0.008	2.0	2.0
2DARL-600	60:5	2.5	1.2	4.8	-	-	-	0.011	2.0	2.0
2DARL-750	75:5	3.5	1.2	2.4	-	-	-	0.015	2.0	2.0
2DARL-800	80:5	4.0	1.2	2.4	4.8	-	-	0.016	2.0	2.0
2DARL-101	100:5	5.0	1.2	2.4	4.8	-	-	0.018	2.0	2.0
2DARL-121	120:5	5.0	1.2	2.4	2.4	4.8	-	0.022	2.0	2.0
2DARL-1250	125:5	5.0	0.6	1.2	2.4	4.8	-	0.028	2.0	1.5
2DARL-151	150:5	10.0	0.6	0.6	1.2	2.4	4.8	0.031	2.0	1.5
2DARL-201	200:5	12.5	0.3	0.3	1.2	1.2	2.4	0.047	1.5	1.33
2DARL-251	250:5	15.0	0.3	0.3	0.6	1.2	2.4	0.074	1.5	1.25
2DARL-301	300:5	20.0	0.3	0.3	0.6	0.6	1.2	0.089	1.5	1.0