

# PQube<sup>®</sup> 3 Portable

There is no portable power analyzer available more powerful, easier to set up, or gets you data quicker – it's just that good

An ideal combination of an ultra-precise power quality monitor and a revenue grade Class 0.2 energy meter in an easy to deploy package.

Designed for quick installation: auto-detects frequency, nominal voltage and power configuration. Cell-wireless ready - no communication cables needed.

You'll receive reports as soon as the instrument is installed. Your PQube 3 Portable sends events and trends directly to your email inbox on your laptop or smartphone - **no software required.**



## Product Highlights

PQube 3 Power Analyzer pre-packaged and pre-wired in an indoor polycarbonate enclosure with hinged window and handle.

- Quick local configuration and real-time measurements verification with a safe touch screen display accessible through a hinged window
- 30-minute internal battery backup for PQube 3
- Temperature, humidity, barometric pressure and shock/vibration sensing using the two EnviroSensor ports
- One Relay output, 4 analog and one digital input
- Easy field wiring with pluggable connections for voltage, current, Ethernet, EnviroSensor and I/O inputs
- PQube 3 powered from measured voltage (360~480Vac), or 24Vdc input plug (100-240Vac:24Vdc power supply provided)
- Voltage measurement range 100~480Vac
- Five current channels – 333mV or ±10V peak - compatible with convenient split-core and flexible current sensors
- Compact polycarbonate enclosure, with press-in mounting feet included
- Fused voltage cables with alligator clips included

## Options/Accessories

- **Add a modem mounting kit for your CradlePoint cell modem.**

Includes internal modem mounting plate, 2 indoor antennas on the sides of the enclosure, internal antenna and Ethernet cables, and 12Vdc for your CradlePoint IBR 650 modem power.



- **Integrated ultra-precise isolated GPS receiver**

This high accuracy timing options includes a plug-in MS1 time synchronization module, an isolated GPS1 receiver with cable that plugs into the bottom of the enclosure.

- **Remote mount kits for GPS receiver/cell modem antennas**  
Includes [Remote Antenna Bracket](#) and outdoor rated cables.



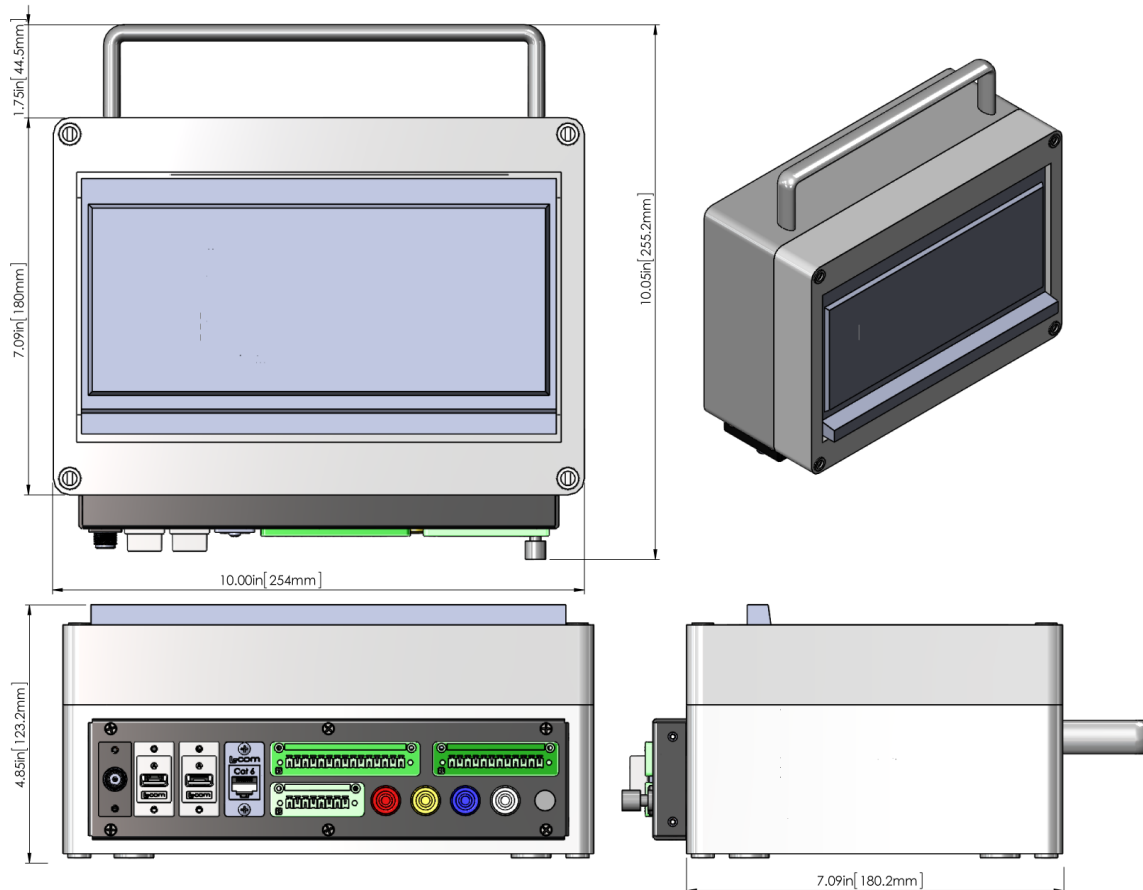
## Specifications

Characteristics	
Temperature	Ambient: -20°C ~ +40°C
Humidity	Range: 5%~ 90%RH
Voltage Input Range	100~480Vac
Voltage Lead Rating	1000V, CAT IV / max 8A
Voltage Lead Fuses	660VAC 2A
Current Input Range	333mV or +/- 10V peak (through split-core CT's or flexible CT's)
UPS Backup	5 to 30 minutes - user configurable
Weight	5 lbs (2.3 kg)
Material	Polycarbonate with clear polycarbonate hinged access window

## Pluggable Connections



## Dimensions



## Order Information

<b>Pluggable package (Base Model)</b>	P/N: PQ3iaB-Portable-000-0000-0000
<b>Add a modem mounting kit for your cell modem</b>	P/N: PQ3iaB-Portable-M12-0000-0000
<b>Add an integrated ultra-precise isolated GPS receiver</b>	P/N: PQ3iaB-Portable-000-GPS1-0000
<b>Add modem mounting kit and an ultra-precise GPS receiver</b>	P/N: PQ3iaB-Portable-M24-GPS1-0000
<b>Remote mount kits for GPS receiver/cell modem antennas – includes bracket and cables:</b>	
PQ3iaB-P Remote Outdoor Cell Antenna Mounting Kit (for 2 outdoor N-style antennas)	P/N: RAK-PQ3iaBP-SMA-N-4M-00
PQ3iaB-P Remote Indoor Cell Antenna Mounting Kit (for 2 indoor SMA antennas)	P/N: RAK-PQ3iaBP-SMA-SMA-4M-00
PQ3iaB-P Remote Outdoor GPS1 Receiver Mounting Kit	P/N: RGPS1K-PQ3iaBP-7M-00
PQ3iaB-P Remote Outdoor Cell Antenna and GPS1 Mounting Kit	P/N: RAGPS1K-PQ3iaBP-4M-00